

# Refurbished **CYBEX NORM** Multi-joint Evaluation and Exercise System



## Each refurbished **CYBEX NORM** includes:

### **HUMAC Computer System**

- New DELL™ Computer System and Printer
- New HUMAC™/Windows® Software Application
- New HUMAC™ Interface
- New PVI Home Exercise Software

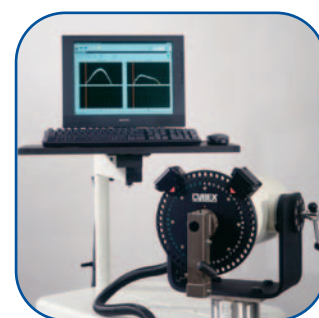
### **Refurbished Machine Components**

- New Electronics
- Attachments for 22 Test and Exercise Patterns
- Calibration Weights
- Straps and Pads

### **CSMi Service and Support**

- On-site Installation
- On-site Training
- One-year Warranty

The **CYBEX NORM** isokinetic machine is used to rehabilitate and strengthen your patients while providing quantitative measurement of their performance. A CYBEX NORM refurbished by **CSMi** is an affordable solution to your multi-joint evaluation and exercise needs. Its compact design (28 square feet) is adaptable to virtually any size facility. The CYBEX NORM offers Isokinetic, Isotonic, Continuous Passive Motion (CPM), and Isometric resistance; attachments for 22 upper and lower extremity patterns; and can be operated in an 10' x 8' space. The CSMi exclusive refurbishment process includes a rebuilt dynamometer, **DELL™** Computer, **HUMAC™/Windows® Software**, updated electronics, straps and pads. Each machine is professionally installed by a CSMi technician, includes an on-site in-service, and is covered by a warranty. **Refurbished Extremity Systems by CSMi** are the highest quality, most up-to-date and most affordable systems available!



Single-seat design, enclosed computer with display/keyboard swing arm, and optional flat panel monitor save space and enhance appearance.

**Buy Your Refurbished CYBEX With Confidence From CSMi!**



101 Tosca Drive, Stoughton, MA 02072  
(phone) 781.297.2034  
(fax) 781.297.2039  
(web) [www.csmisolutions.com](http://www.csmisolutions.com)  
(e-mail) [info@csmisolutions.com](mailto:info@csmisolutions.com)

Since 1982 CSMi has specialized in the service and support of CYBEX Extremity Systems. We own the designs, manufacturing tools, inventory, and patents for the entire CYBEX Family of isokinetic testing products so you can be confident we'll keep your machine running in top condition.



# CYBEX NORM Test and Exercise Patterns

## SHOULDER

- Abduction/Adduction
- Horizontal Abduction/Adduction
- Extension/Flexion
- Internal/External Rotation in Neutral (Seated)
- Internal/External Rotation in Neutral (Standing)
- Internal/External Rotation in 90° of Abduction
- Internal/External Rotation in 90° of Flexion

## ELBOW

- Extension/Flexion

## FOREARM WRIST

- Pronation/Supination
- Radial/Ulnar Deviation
- Extension/Flexion

## HIP

- Abduction/Adduction
- Extension/Flexion
- Internal/External Rotation

## KNEE

- Extension/Flexion (Seated)
- Extension/Flexion (Prone)
- Tibia Internal/External Rotation

## ANKLE

- Plantarflexion/Dorsiflexion (Prone)
- Plantarflexion/Dorsiflexion (Supine)
- Inversion/Eversion

## PNF D1

- Flexion – Adduction/Extension – Abduction

## PNF D2

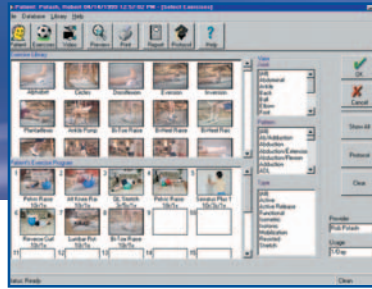
- Flexion – Adduction/Extension – Adduction

## TRUNK

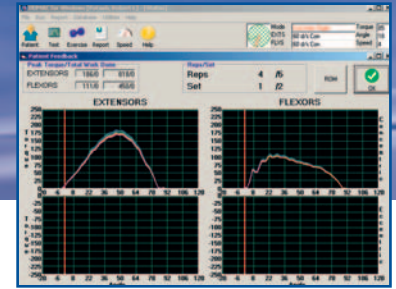
- Extension/Flexion (Optional)

## WORK SIMULATION

- (Optional)
- Small Fluted Knob
- Small Fluted Knob - Offset
- Large Fluted Knob
- Small T Handle
- Large T Handle
- Spherical Knob
- Oval Knob
- Screwdriver
- Multi-Grip Hand Tool
- Universal Tool Adapter
- Gripping Device
- Push/Pull Device



Use the PVI Home Exercise software to create full-page exercise handouts for patients to follow at home.



New HUMAC Software provides virtual hands-off operation for more efficient hands-on patient care. Tests can be performed in minutes!

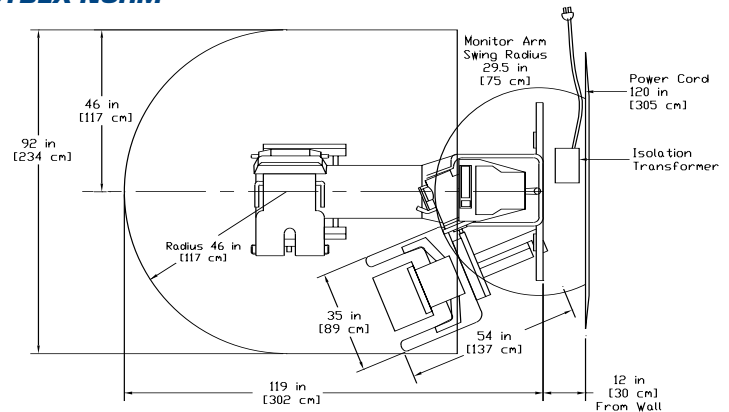
## Resistance Modes

Mode	Speeds	Torque
Isokinetic Concentric	5 - 500° per sec	500 ft-lbs/678 Nm
Isokinetic Eccentric	5 - 300° per sec	300 ft-lbs/406 Nm
CPM	1 - 150° per sec	150 ft-lbs/203 Nm
Isometric		500 ft-lbs/678 Nm
Isotonic		300 ft-lbs/406 Nm

## Power Requirements

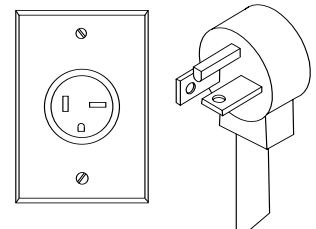
- Input Voltage: 220 VAC (other voltages available)
- Input Frequency: 60Hz (international frequency 50Hz available)
- Independent 20 amp dedicated circuit required

## Suggested floor plan for CYBEX NORM



## Electrical Specifications: CYBEX NORM

Independent 20 Amp single phase line. Can be configured for input voltages between 184 and 259 VAC. Shipped configured for 208 VAC. Recommended outlet receptacle NEMA 6-20R (Hospital Grade)



## Other CSMi Products

- PT Website Clinic Website Design Tool
- PVI Home Exercise Software
- SportsWare Injury Tracking Software
- HUMAC Computer System Upgrade for CYBEX Testing Systems
- Service and Support for CYBEX II/II+, 300 Series, Back Series, 6000, and NORM
- New NORM Single Chair Extremity System

CSMi is a sole-source provider of the HUMAC Computer System and exclusive owner of the CYBEX Extremity Family of Products. CYBEX NORM shown on front with optional flat panel monitor. HUMAC is a registered trademark of CSMi. Copyright © 2006, CSMi. All names, products, and services mentioned are trademarks or registered trademarks of their respective companies