

Refurbished CYBEX 6000 Multi-joint Evaluation and Exercise System



The **CYBEX 6000** isokinetic machine is used to rehabilitate and strengthen your patients while providing quantitative measurement of their performance. A CYBEX 6000 refurbished by **CSMI** is an affordable solution to your multi-joint evaluation and exercise needs. Equipped with the unique Powered/Non-Powered Dynamometer the CYBEX 6000 offers Isokinetic, Isotonic, Continuous Passive Motion (CPM), and Isometric resistance; attachments for 18 upper and lower extremity patterns; and can be operated in an 9'9" x 7'8" space¹. The CSMI exclusive refurbishment process includes a rebuilt dynamometer, **DELL™** Computer, **HUMAC™/Windows®** Software, updated electronics, paint, straps and pads. Each machine is professionally installed by a CSMI technician, includes an on-site in-service, and is covered by a warranty. Refurbished Extremity Systems by CSMI are the highest quality, most up-to-date, and most affordable systems available!

Each refurbished CYBEX 6000 includes:

HUMAC Computer System

- New DELL™ Computer System and Printer
- New HUMAC™/Windows® Software Application
- New HUMAC™ Interface
- New PVI Home Exercise Software

Refurbished Machine Components

- Rebuilt Dynamometer to original factory specification
- New Electronics
- Attachments for 18 Test and Exercise Patterns
- Upper Body Extremity Table (UBXT)
- Calibration Weights
- Paint, Straps and Pads

CSMI Service and Support

- On-site Installation
- On-site Training
- One-year Warranty



Only the CYBEX 6000 includes a Powered/Non-Powered Dynamometer design for smoother concentric isokinetic operation.

Buy Your Refurbished CYBEX With Confidence From CSMI!



Since 1982 CSMI has specialized in the service and support of CYBEX Extremity Systems. We own the designs, manufacturing tools, inventory, and patents for the entire CYBEX Family of isokinetic testing products so you can be confident we'll keep your machine running in top condition.

CSMI
101 Tosca Drive
Stoughton MA, 02072

Phone: 781-297-2034
Fax: 781-297-2039
Email: info@csmisolutions.com

¹Without UBXT

CYBEX 6000 Test & Exercise Patterns

SHOULDER

Abduction/Adduction
 Horizontal Abduction/Adduction
 Extension/Flexion
 Internal/External Rotation in Neutral
 Internal/External Rotation in 90° of Abduction
 Internal/External Rotation in 90° of Flexion

ELBOW

Extension/Flexion

FOREARM WRIST

Pronation/Supination
 Radial/Ulnar Deviation
 Extension/Flexion

HIP

Abduction/Adduction
 Extension/Flexion
 Internal/External Rotation

KNEE

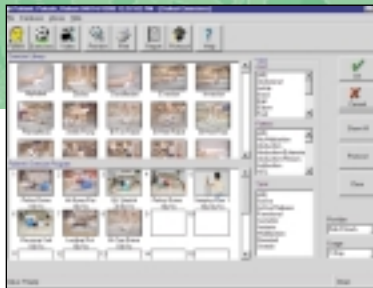
Extension/Flexion
 Tibia Internal/External Rotation

ANKLE

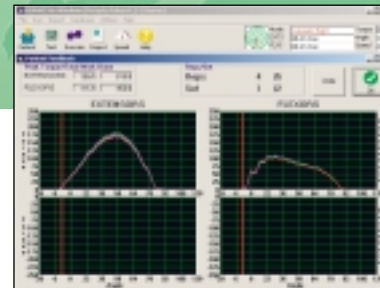
Plantarflexion/Dorsiflexion (Prone)
 Plantarflexion/Dorsiflexion (Supine)
 Inversion/Eversion

TRUNK

Extension/Flexion (Optional)



Use the PVI Home Exercise software to create full-page exercise handouts for patients to follow at home.



New HUMAC Software provides virtual hands-off operation for more efficient hands-on patient care. Tests can be performed in minutes!

Resistance Modes

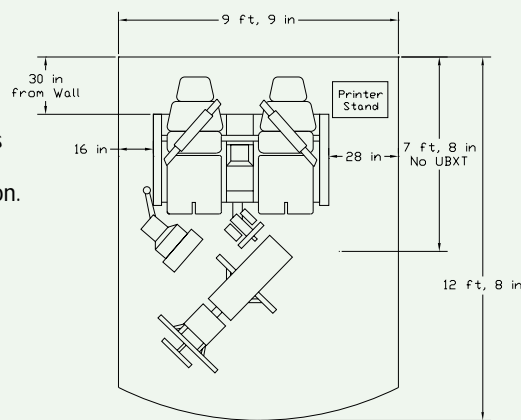
Mode	Speeds	Torque
Isokinetic Concentric	5 - 500° per sec	500 ft-lbs/678 Nm
Isokinetic Eccentric	5 - 300° per sec	300 ft-lbs/406 Nm
CPM	1 - 150° per sec	150 ft-lbs/203 Nm
Isometric		500 ft-lbs/678 Nm
Isotonic		300 ft-lbs/406 Nm

Power Requirements

Input Voltage: 220 VAC (other voltages available)
 Input Frequency: 60Hz (international frequency 50Hz available)
 Independent 20 amp dedicated circuit required

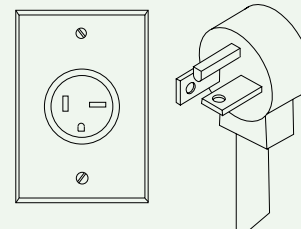
Floor Layout: CYBEX 6000

Full CYBEX system with seats reclined allowing ankle patterns on positioning table in supine or prone position.



Electrical Specifications: CYBEX 6000

Independent 20 Amp single phase line. Can be configured for input voltages between 184 and 259 VAC. Shipped configured for 208 VAC. Recommended outlet receptacle NEMA 6-20R (Hospital Grade).



Other CSMI Products

- PT Website Clinic Website Design Tool
- PVI Home Exercise Software
- SportsWare Injury Tracking Software
- HUMAC Computer System Upgrade for CYBEX Testing Systems
- Service and Support for CYBEX II/II+, 300 Series, Back Series, 6000, and NORM
- New NORM Single Chair Extremity System

CSMI is a sole-source provider of the HUMAC Computer System and exclusive owner of the CYBEX Extremity Family of Products. CYBEX 6000 shown on front with optional flat panel monitor. HUMAC is a registered trademark of CSMI. Copyright © 2003, CSMI. All names, products, and services mentioned are trademarks or registered trademarks of their respective companies